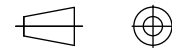
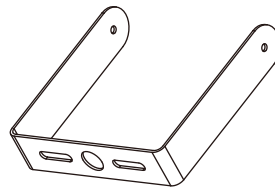


9" Yoke Mount for SAL

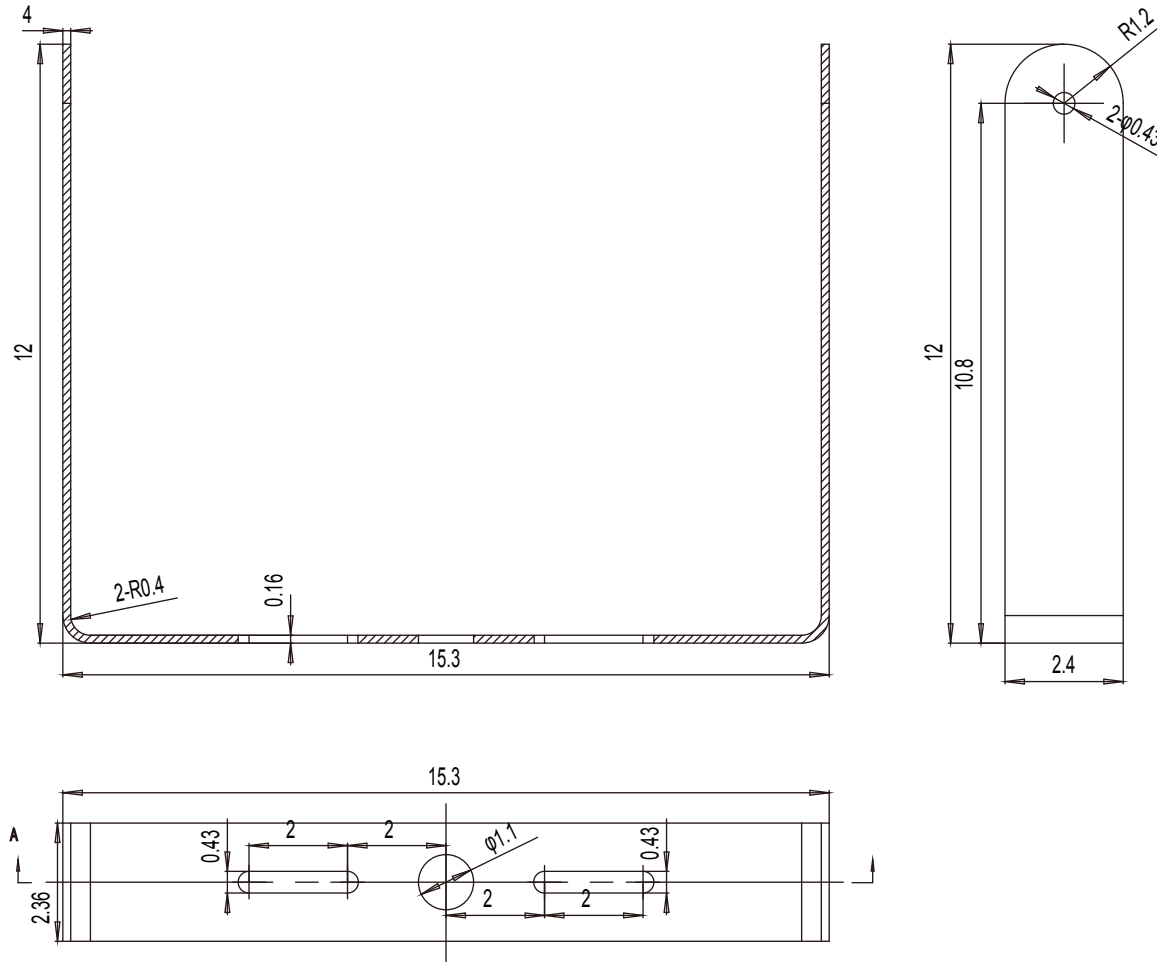
Product Dimensions



SCALE : 1:1

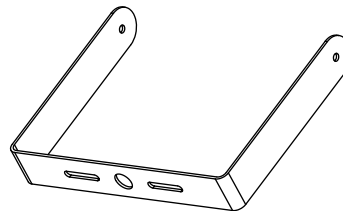
Measure Tolerance is:
±0.15 mm, ±0.01in

Material: Aluminium

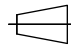



15" Yoke Mount for SAL

Product Dimensions



Unit: inch

	
SCALE : 1:1	
Measure Tolerance is: ±0.15 mm, ±0.01in	
Material: Aluminium	